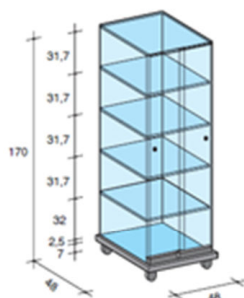
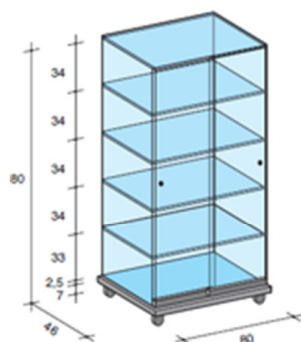


S 38

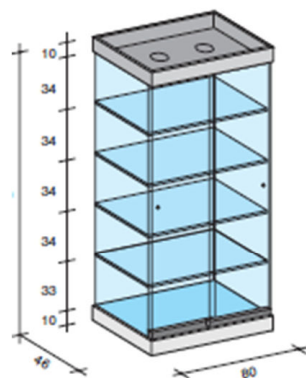
Colli - Items: **2**
 Peso Lordo Kg. - Weight: **63**
 m³: **0,19**

**S 88**

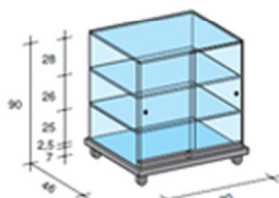
Colli - Items: **2**
 Peso Lordo Kg. - Weight: **93**
 m³: **0,30**

**S 84 + PL**

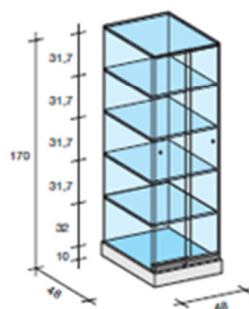
Colli - Items: **3**
 Peso Lordo Kg. - Weight: **103,5**
 m³: **0,37**

**S 188**

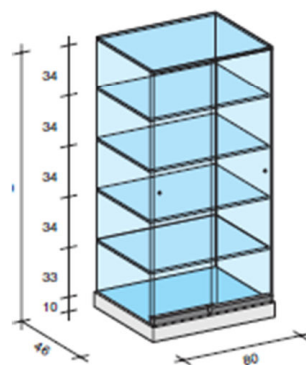
Colli - Items: **2**
 Peso Lordo Kg. - Weight: **53**
 m³: **0,20**

**S 28**

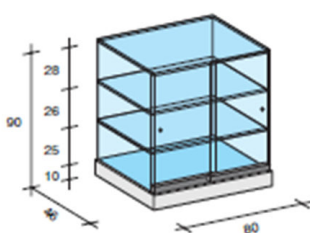
Colli - Items: **2**
 Peso Lordo Kg. - Weight: **64**
 m³: **0,19**

**S 84**

Colli - Items: **2**
 Peso Lordo Kg. - Weight: **94,5**
 m³: **0,30**

**S 184**

Colli - Items: **2**
 Peso Lordo Kg. - Weight: **54,5**
 m³: **0,20**

**S 28 + PL**

Colli - Items: **3**
 Peso Lordo Kg. - Weight: **71,5**
 m³: **0,24**

